

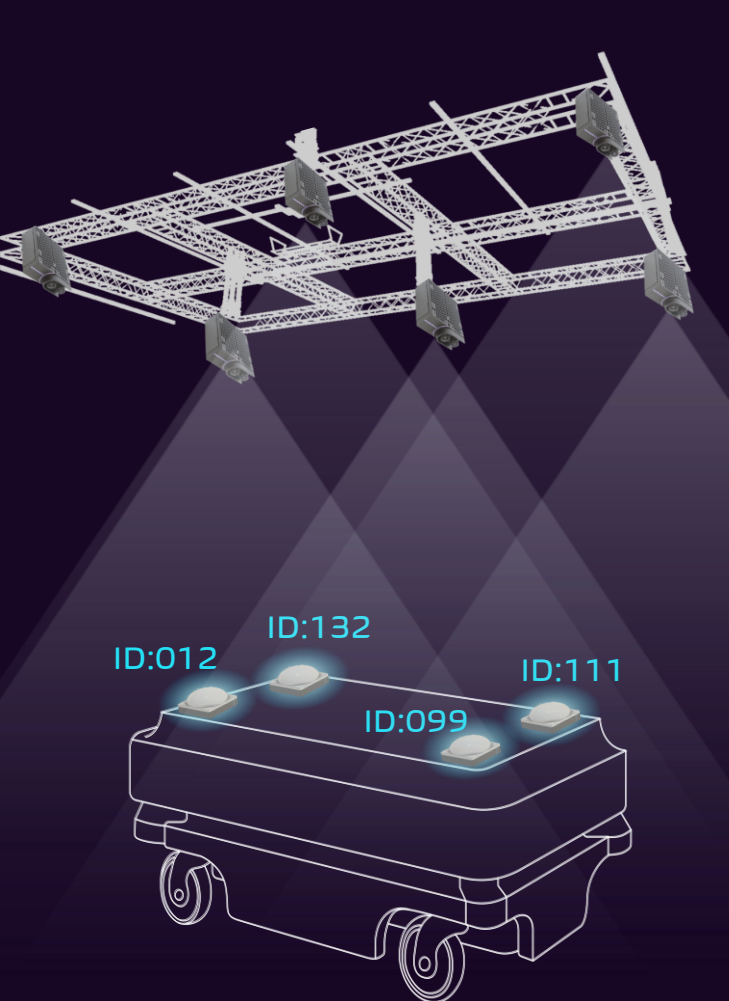


Foveator Track

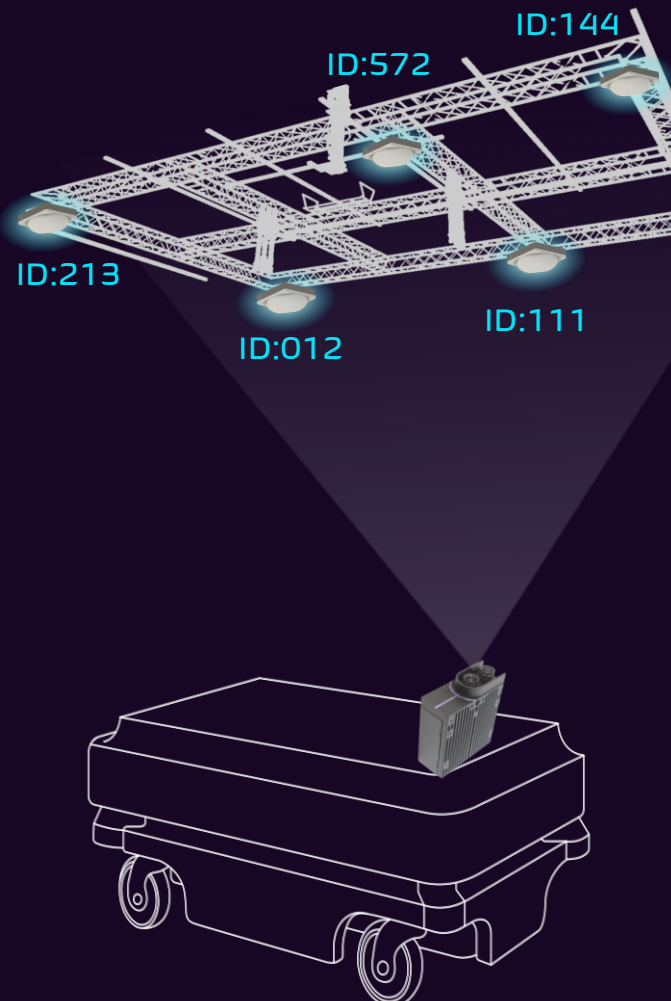
High-speed, ultra-robust optical positioning

Fast, ultra-robust, all-weather tracking for GPS-denied indoor & outdoor environments

- All-in-one, full-service solution
- Unique per-device IDs
- Highly accurate, full 3D output
- Fast, easy configuration to cover any area



Outside-In Tracking



Inside-Out Tracking

What is Foveator Track?

Foveator Track enables precise, fast positioning of assets using active infrared LED markers and compact, power-efficient smart camera technology. It uses patented neuromorphic sensing, that works like the human retina.

Foveator Track can be used in Inside-Out (moving camera, stationary markers) or Outside-In (stationary cameras, moving markers) mode. One server can connect thousands of cameras tracking thousands of markers simultaneously.

iniVation provides Foveator Track on an all-in service basis (hardware + SaaS) to solve your tracking problem in your area of activity.



Key features

- 

Ultra-fast
High speed,
low latency
- 

Unique ID
Every marker
identified
- 

Ultra-reliable
Robust against
distractors
- 

Long range
From 1 m to
outer space

Technology Comparison

Foveator Track provides the most robust, fast, configurable tracking solution for the widest range of moving assets in all environments

Method	Unique IDs	Range	Full 3D tracking	Robust to interference	Easy installation & reconfiguration	Works outdoors day/night
Laser ranging	Yes	Medium	Yes	Medium	No	No
Optical QR code	Yes	Low	No	Low	Yes	No
Inductive wire	No	Low	No	Medium	No	No
Magnetic tape	Yes	Low	No	Medium	No	No
Natural visual features	No	High	Yes	Low	Yes	(Yes)
Passive reflective markers	No	Low	Yes	High	Yes	No
Foveator Track	Yes	High	Yes	High	Yes	Yes

Applications

Foveator Track works anywhere you need to track your valuable moving assets in real-time, without GPS.

- Factory & warehouse logistics: AGVs, forklifts, trucks
- Sites for construction, exploration, mining
- Entertainment: real-time XR data from room to stadium
- Scientific research